

Related Items



CO-002
TRIPOD



CO-007
TRIPOD



CO-005
SCOPE MOUNT



CO-011
ARCA RIFLE CLAMP



CO-013
BOWL RISER MOUNT



CO-001
HEAVY DUTY SUPPORT



CO-K05
KIT



CO-K06
KIT



CO-04
KIT

Crux Ordnance

www.CruxOrd.com



Specifications and design are subject to change without notice.
© 2018

CruxOrd • 18545 West Creek Dr. • Tinley Park, IL 60477 USA
708-770-7240 • Brian@CruxOrd.com • www.CruxOrd.com

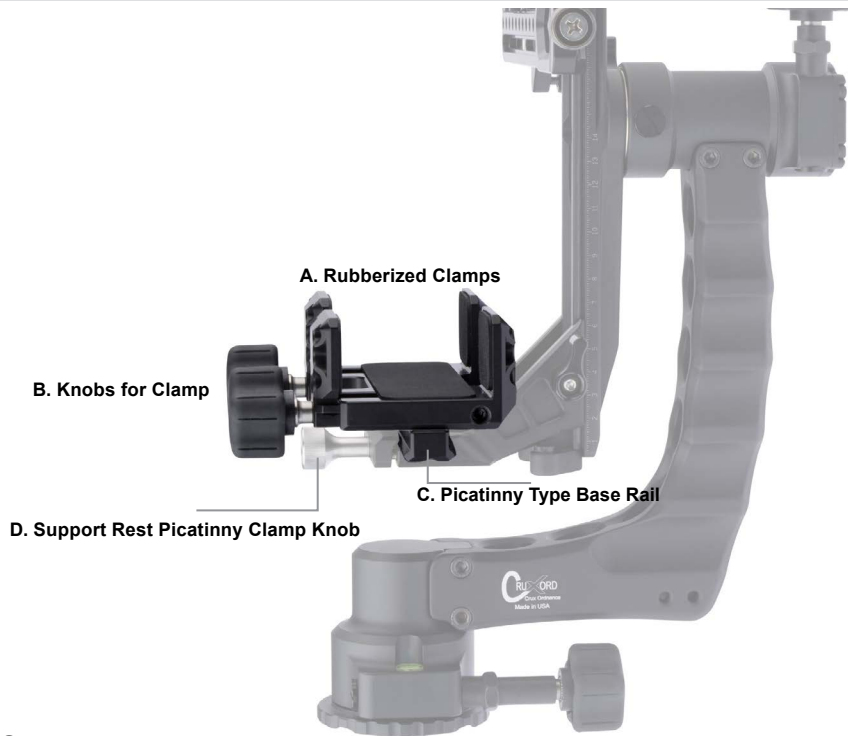


Clamp for Rifles

Solid Rubberized Clamp

CO-004 Instruction Manual

Instructions



Setup:

The CO-004 Clamp mounts to any Picatinny Style Clamp, It runs the entire length of the clamp so that a better balance can be achieved when using CO-001 or CO-006 Support Rest. Open the Picatinny Type Clamp (D) of the Support Rest by loosening the Knob (D) and mount CO-004 Clamp into the clamp. Lock Knob (D) securely, then open (A) Rubberized Clamps by loosening (B) knobs to fit your rifle, tighten (B) as needed to achieve solid grip on the Rifle.

Balancing The Rifle:

If using SUPPORT REST Refer to those Instructions for balancing the system.

You can slide the CO-004 clamp inside any Picatinny Rail as needed, after balancing is achieved lock all knobs securely

Features

- Picatinny Type Mount
- CNC Precision Machined from T6061 aluminum
- Rubber Padded Clamps
- Hard anodized scratch resistant finish
- Made in USA
- 1-year warranty

Maintenance

Check before every use for any loose screws/parts and tighten with knob or supplied hardware. The bearings are sealed and require no lubrication. A small amount of oil (WD40 or similar) may be used on the knobs if necessary. If exposed to potentially corrosive environments, clean with fresh water immediately after use and dry. Taking these precautions will greatly extend the life of the product.

Warranty

This product is guaranteed to the original purchaser to be free of defects in material and workmanship for one (1) year from the date of purchase.

ITAR WARNING: The content or attachments to this document may contain defense technical data covered by the U.S. Munitions List and International Traffic in Arms Regulations. US State Dept. authority for export of such technical data from US is required. Re-export, re-transfer, or disclosure to unauthorized parties, including non-US Persons is prohibited



Specifications:

Length..... 5.0 inches (127mm)
Width.....5.0 inches (127mm) with knobs
Height2.8 inches (71mm)
Weight..... 1.2 pounds / 551g
Load Capacity (for Balanced Load)..... 50 pounds / 22 kg
Mount.....Picatinny Rail